

4 Function with Standard Transmitter

SYSTEM PART NUMBER

92104K

4 Function Receiver, with Master + Keypad + 4 Function Standard Transmitter



CONTENTS

1 x Receiver
1 x Standard Transmitter
1 x Lanyard
1 x Cover
1 x Instructions

REPLACEMENT TRANSMITTER

92104TX - 4 Function Standard Transmitter

REPLACEMENT RECEIVER

9204RXK - 4 Function Receiver w/Keypad

TRANSMITTER SPECIFICATION

ENCLOSURE

Material Glass reinforced Nylon
Switch Type 12mm Dome Switch
Functions 4
Identification Pockets for printed text or image insertion

RF

Modulation 2-GFSK. Gaussian Frequency Shift Keying
Frequency 433.050 MHz to 434.790 MHz
Channels 1
Channel Selection Fixed
Technology Hand-held Transmitter
Temperature Range -10°C to $+40^{\circ}\text{C}$ (13°F to $+104^{\circ}\text{F}$). Use Lithium for lower temperatures
Range 60m (200ft)
Aerial Internal – printed on PCB
Transmitted power 1mW Typical

POWER

Batteries 1x 9V Alkaline Manganese
Quiescent Current $15\mu\text{A}$
Current Transmitting 20mA

PROTECTION

IP Rating 54
Registration codes Over 16 million

INDICATOR

Type 1 x Red LED
Off Transmitter is OFF and in standby mode
Slow flash Transmitter is ON and ready for use (The SET Button has been pressed and released)
On Transmitting (A STOP, SET or Function Button is being pressed)
Fast flash Transmitting – Indication that the battery will need replacing soon

COMPLIANCE

FCC FCC CFR 47-part 15.231
433.9MHz

IC ISED RSS-210 Issue 8
433.9MHz

RoHS Directive 2011/65/EU

RECEIVER SPECIFICATION

KEYPAD

Back up Control Works independently from the Transmitter

Security coding available as an option

ELECTRICAL

Voltage Nominal 12/24V DC

Voltage Min/Max 8 to 36V DC

Switch Type MOSFET (Positive Switching)

RF

Modulation 2-GFSK. Gaussian Frequency Shift Keying

Frequency 433.050 MHz to 434.790 MHz

902.025 MHz– 927.975 MHz

Channels 32

Channel Selection Fixed

Channel hopping

Technology Fixed Receiver

Temperature Range -40°C to $+70^{\circ}\text{C}$ (-40°F to $+158^{\circ}\text{F}$)

Range 60m (200ft)

CURRENT CAPACITY

FET Rating 10A

System Rating 10A

Quiescent Current 31mA 12V/ 17mA 24V on Standby (Not SET)

Overload Protection 10A (Auto Shutdown)

AERIAL

Internal Antenna Yes Supplied and fitted

External Antenna Optional AC9860/ AC9861/ AC9862/ AC9863 & AC9869 – order separately

OUTPUTS

Master Yes Parallel or Continuous

Function 4 Supply to Receiver is switched

CONFIGURATION

RS232 Programming to users' requirements Yes For programming interlocks, push/push latch, parallel master inhibit, timeout, channel timeout delay, master on delay, radio button de-latching and output allocation.

PERFORMANCE

Simultaneous Outputs Yes Programmable (Modify through configuration)

Instant TX response Yes Programmable (Modify through configuration)

DIAGNOSTICS

LED's Yes Confirm 5 Volts, SET, Fault and all Outputs.

PROTECTION

Back EMF Yes Diode protection on all outputs

Registration codes Yes Over 16 million

STOP Connection Yes Internal Emergency Stop Connection

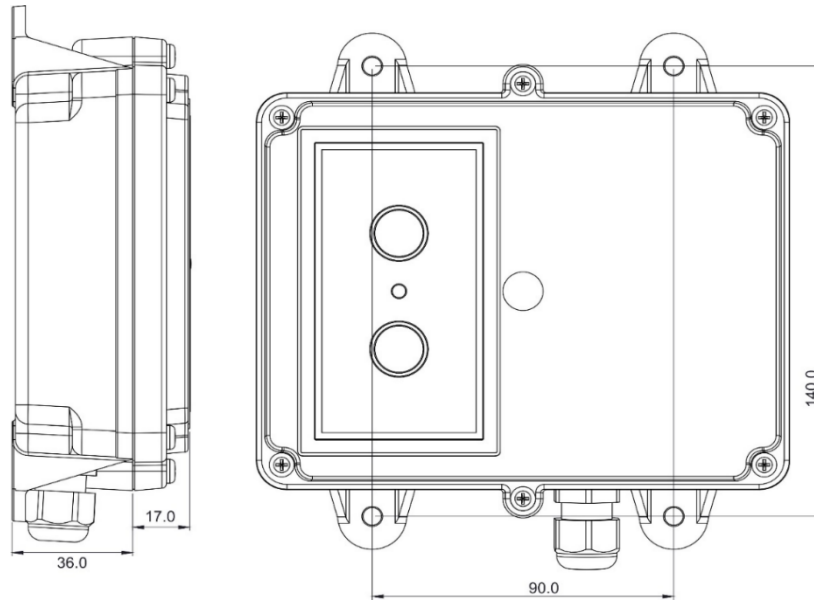
WIRING

Wiring Loom Yes 3 metres (10ft) supplied and fitted

Cable Gland Yes Supplied and fitted

Connections Screw terminal into plug and socket on PCB, for easy "swap out"

ENCLOSURE



Weight 0.3 lbs (335gms)
 Lid Clear PC/FR V0 and UV stabilised
 Base Black PC V0 and UV stabilised
 Breather Gortex fitted in base
 Mounting 4 external lugs
 Fixings 5mm (3/16") not supplied
 IP Rating IP55

92 Series			92000	92002	92004	92100	92102	92104K
BUILD SPECIFICATION TABLE FOR MODELS IN THIS RANGE								
Ident	Legend	Connection						
	+ - F1 F2	Positive, Negative, F1 and F2	S	S	S	S	S	S
	F3 F4 M	F3, F4, and Master		M	S		M	S
	ST -	STOP and -		S	S		S	S
	S+ S-	S+ S-		S	S		S	S
	ANT	Internal Antenna	S	S	S	S	S	S
	SMA	Connector (external antenna)		S	S		S	S
LK1	P	Master - Parallel		C	C		C	C
LK2	C	Master – Continuous		C	C		C	C
LK3	RS232	RS232		S	S		S	S
		3 metres 4 core	S			S		
		3 metres 7 core		S	S		S	S
		9801 Lo-Cover				S	S	S

S = Standard. M = Standard but Master only connected. C = Customer configured (see “Factory Settings”).

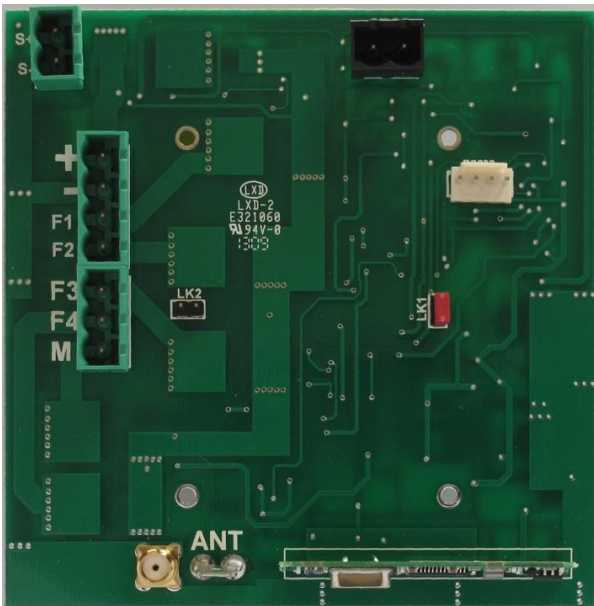
+ Positive 8-36V supply
 - Negative 0 Volts
 F1 to F4 Outputs to F1 through F4
 M Master Output
 ST - STOP, when grounded shuts down the Receiver
 S+ S- Master Secondary for Safety solenoid connections etc.
 ANT Blade connector for internal antenna
 SMA Aerial connection for optional external antenna (internal antenna must be removed)
 LK1 Master Selection by Jumper (Parallel)
 LK2 Master Selection by Jumper (Continuous)
 Factory Settings 418/915MHz configured Parallel, 433.92MHz configured Continuous
 RS232 RS232 for Wired Remote and interface to access special programmes

COMPLIANCE

REG 10	EC Type-approval mark E11 037601 EC Type-approval No: e11/72/245*2009/19*7601*00
FCC	FCC CFR 47 Part 15.109 433.050MHz to 434.790MHz FCC CFR 47 Part 15.109 902.025MHz to 927.975MHz
IC	ICES-003 Issue 6. 433.050MHz to 434.790MHz ICES-003 Issue 6. 902.025MHz to 927.975MHz
CE	RED Directive ETSI EN 300 220-2 v3.2. ETSI EN 300 220-1 v3.1.1. ETSI EN 301 489-17 V3.1.1, ETSI EN 301 489-1 V2.1.1 433.050MHz to 434.790MHz
Australia/NZ	ETSI EN 300 220-2 v3.2.1 ETSI EN 301 489-1 V2.1.1 433.050MHz to 434.790MHz 915.025MHz to 927.975MHz
RoHS	Directive 2011/65/EU

Photo of PCB

Connector Side



Component Side

